



## SPECIFICATION SHEET

### UMACABLE HIGH QUALITY DISPLAYPORT TO DVI ADAPTER

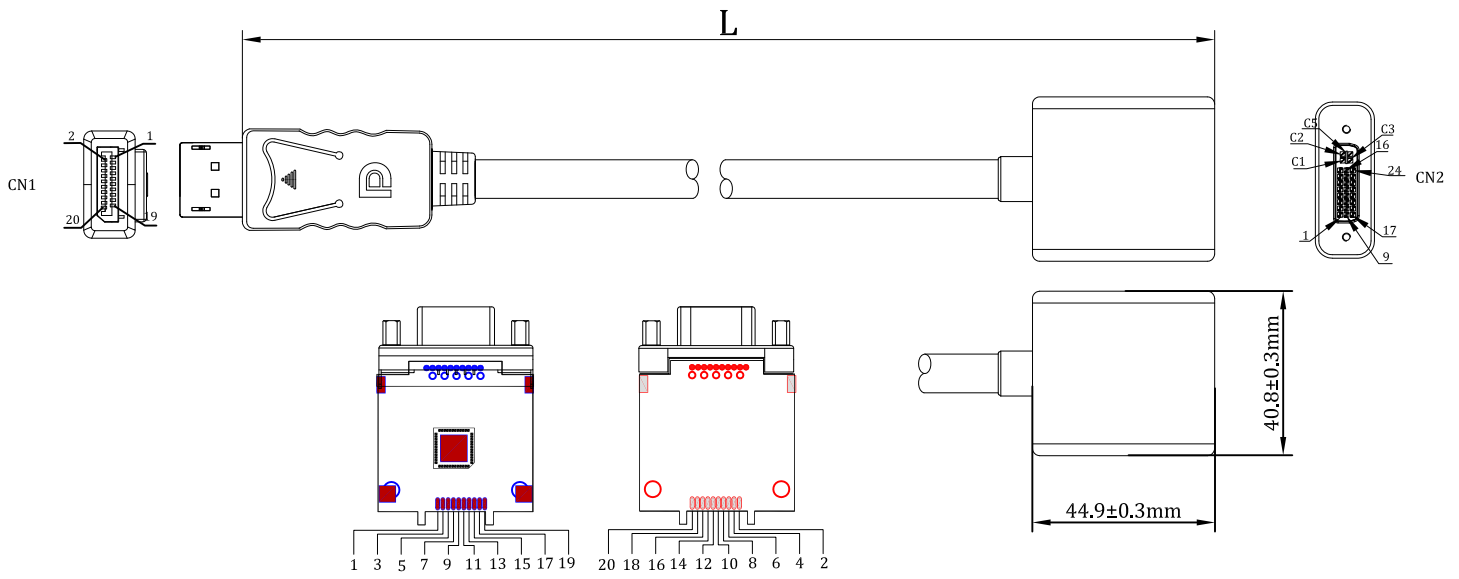
ITEM NO.: UMDP1202



#### KEY FEATURES :

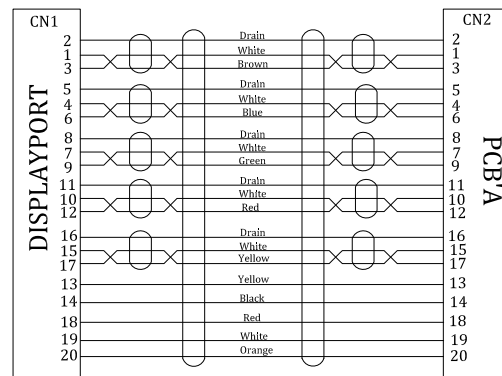
- Connect the video output of a DisplayPort enabled Chromebook or laptop to a DVI display
- Convert DisplayPort digital signal to DVI digital signal
- Support 4K@30 (3840x2160, Ultra HD) resolution
- Feature a built-in active IC chip to achieve better compatibility
- Lifetime Warranty

# UMACABLE HIGH QUALITY DISPLAYPORT TO DVI ADAPTER

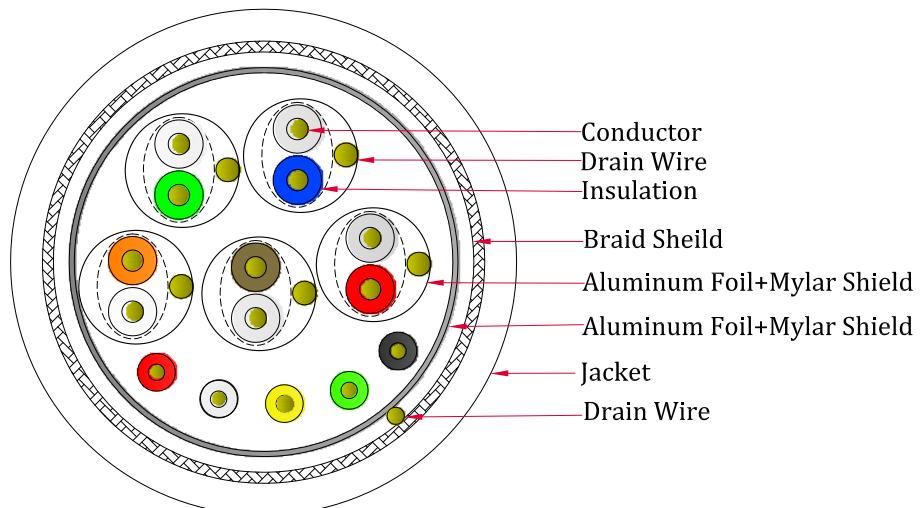


PCB'A

## Diagram



## Construction



# UMACABLE HIGH QUALITY DISPLAYPORT TO DVI ADAPTER

## Electrical Characteristics:

Nominal Impedance:	100±10Ω
Voltage:	5V, 500mA
DC Resistance:	376Ω/km
Pixel Clock Rate:	Up to 165MHz
Intra-pair Skew:	15ps/m max

## Physical Characteristics:

Voltage Rating:	30V
Minimum Bend Radius:	12mm
Temperature Rating:	80℃
Approvals:	RoHS Compliant
Package type:	PE bag, Zip bag, Box, Hang card, Blister

## Conductor 1 (5 pairs)

Conductor Type:	32AWG Tinned Copper
Insulation:	Foamed PE
Color:	Brown/White, Blue/White, Green/ White, Red/White, Yellow/White
Drain Wire:	32AWG Tinned Copper
Shield:	Aluminum Foil+Mylar 100% Coverage

## Conduct 2 (5 cores)

Conductor Type:	32AWG Tinned Copper
Insulation:	HDPE
Color:	Yellow, Black, Red, White, Orange
Shield:	Aluminum Foil+Mylar 100% Coverage

## Connector 1

Connector Type:	DisplayPort Male
PIN Construction:	Phosphor Copper
Plating:	1 μm Gold
Injection:	ABS

## Connector 2

Connector Type:	DVI-I 24+5 Female
PIN Construction:	Phosphor Copper
Plating:	1 μm Gold
Injection:	ABS

## Overall

Drain Wire:	28AWG Bare Copper
Foil Shield:	Aluminum Foil+Mylar 100% Coverage
Braided Shield:	16/6/0.12 Aluminum Magnesium
Jacket:	PVC
OD:	5.5±0.2mm

## Customized Parameters

Guage:	AWG 32
Length:	0.2m
Color:	Black or Customized
Ferrite Core:	Customized
Nylon Mesh:	Customized
Package type:	PE bag, Zip bag, Box, Hang card, Blister